

# POWER YOUR FUTURE

## Cummins Generator LG1000C

# QSK38-G5

Prime Power: 1000W/1250KVA

Standby Power: 1100W/1375KVA



## GENERATING POWER SOLUTIONS

### **Increased availability for new operations**

Reliable, robust and versatile generator.  
Ready to deliver power for a next job.

### **Increased uptime during operations**

Once installed on the end-user-site, the generator will be ready to run: "peace of mind" operation.

### **Reduced transport and installation costs**

The compact and robust design with integrated transport features enables faster and safer transport and installation.

### **Reduced service & maintenance costs**

Longer service intervals.  
Quicker and more efficient service jobs.

### **Premium resale value**

Designed and built to last.

### **SAFETY**

- Operate safely in accordance with proper operation manual.
- To prevent trouble and accidents, perform daily and preventive maintenance checks without fail.

## Cummins Series

25KVA--2000KVA



# LONGKAI

## FUAN LONGKAI POWER CO.,LTD.

**Headquarters:**

Add: Wei 5 Road, Tiehu Industrial Zone, Fuan, Fujian, China

Tel: +86-0593-6309773 Fax: +86-0593-6586988

E-mail: sales@longkaipower.com

Web: www.longkaipower.com

## Technical Data

Model	LG1000C	
Rated prime power	kva	1250
Rated standard power	kva	1375
Rated voltage line to line	V	400/230
Rated current	A	1804
Maximun sound level	dB(@7m)	≤103

### Engine-DCEC Cummins

Model	QSK38-G5	
Aspiration	4 stroke, 60°V type 16 cylinder	
Fuel system	PT type	
No. cylinders	V 16	
Displacement	Liquid	37.7
Bore*Stroke	mm	159*159
Compression ratio	15:01	
Rated speed	r/min	1500
Rated net power(with fan)	Kw	1107
Governor type	EFC Electrical	
Start Motor	V	24

### Exhaust System

Exhaust gas flow	L/s	7926
Exhaust gas temp	°C	901
Max back pressure	kPa	10

### Aspiration System

Max inlet pressure	kPa	100
Combustion volume	L/s	/
Air flow	L/s	3229

### Fuel System

100% load(Prime power)	L/h	274
75% load(Prime power)	L/h	206
50% load(Prime power)	L/h	154
Fuel tank capacity	L	2500

(External Fuel Tank)

### Lubrication System

Oil capacity	L	170.3
Oil consumption	g/kwh	0.85
Oil pressure	kPa	138

(continuous operation)

### Cooling System

Coolant capacity	L	106
Thermostat operation range	°C	82-93
Max water temperature	°C	104

### Alternator

Model	LONGKAI	LK634G
	STAMFORD LVI634G-S6L1D-G4	
Phase	3	
Voltage	V	400/230
Wiring Type	3 Phase 4 wire, Y type	
Bearing	1	
Power factor	0.8	
Frequency	Hz	50
Prime power	KW	904
Exciter Type	Brushless, self-excitation	
Voltage regulation	%	±0.5
Protection Grade	IP 23	
Insulation grade	H/H	
Altitude	m	≤1000

### Controller-DEEPSEA

Model	DSE6120MK3
-------	------------

Protective functions:

- Low oil pressure
- High water temperature
- High/low voltage
- High Engine Temperature and Overspeed.
- Voltage regulator frequency regulator
- Emergency stop
- Start failure



### Control Module Options



- Auto generator control module
- Control module with "Three Remote Control" functions
- ATS auto load transfer screen
- Synchronising control modules
- Power output cabinet

## Standard Features

- Engine(CCEC Cummins)
- Radiator 50°C max,fans are driven by bel
- 24V charge alternator
- Alternator: single bearing alternator IP23, insulation class H/H
- Standard auto control system
- One set of air filter, fuel filter, oil filter
- Main line circuit breaker/MCCB
- Base fuel tank
- Two 24V batteries, rac and cable
- Exhaust system(Ripple flex exhaust pipe, exhaust siphon, flange, muffler)
- User manual

## Options

- Battery charge
- Engine heater
- Alternator heater
- PMG
- Water oil separator
- Daily fuel tank
- Remote control panel
- Automatic transfer switch/ATS
- Switch box
- Standard: ●                      Options:○

## Warranty\*

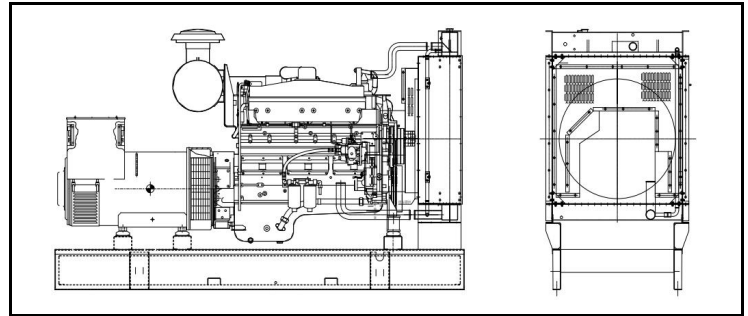
### Cummins Engine

12 months from date of purchase and 1000 hours.

### Generator

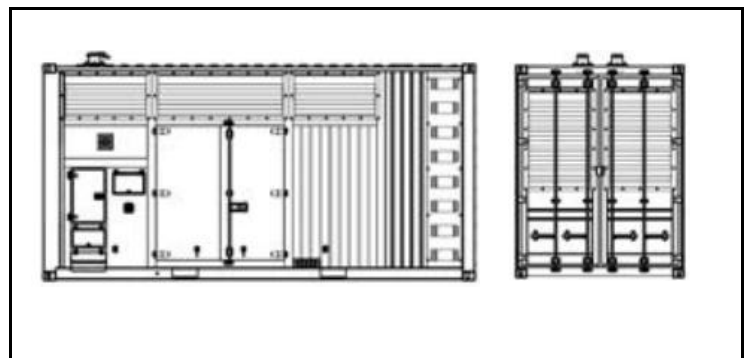
12 months from date of purchase or 1000 hours (whichever occurs first).

## Unit Dimensions(Basic unit)



### Open Type

L*W*H	mm	5000*2000*2500
Weight	kg	9800



### Silent Type(Standard 40'ft container)

L*W*H	mm	12192*3438*2591
Weight	kg	18250